



SCP9150

Covert Radio

Concealed Communications

The SCP9150 has been engineered to meet the specific needs of covert radio users. The slim ergonomic lightweight design makes it the ideal body worn radio when concealed and reliable voice communications are required. With unique facilities such as remote control and personal voice annunciated status messages, Simoco's SCP9150 offers users dependable covert communications.

Features

- ▶ Slim, ergonomic and lightweight design to suit concealed on-body wearing
- ▶ APCO P25 Digital Conventional and Analogue operation
- ▶ Small pendant controller for selection of radio functions
- ▶ Channels, talk groups and encryption codes selectable
- ▶ User defined voice messages
- ▶ Covert selection and transmission of voice messages
- ▶ Voice annunciators for channel selection and radio functions
- ▶ Up to 5 Watts transmit power
- ▶ Programmable function buttons
- ▶ Emergency alarm with P25 messaging and voice annunciation to air
- ▶ Whisper mode transmit
- ▶ Covert antenna options
- ▶ Wireless and wired covert accessory range
- ▶ AMBE+2 vocoder



Specification

General Specification

Frequency Bands*	AC (136 - 174 MHz); TU (400 - 480 MHz); UW (440 - 520 MHz)		
Dimensions	147 mm (H) x 62 mm (W) x 26 mm (D)		
Weight (1000 mAh battery)	270 g		
Accessory Interface	Side connector via lead to Covert Audio Accessories		
Antenna Connector	Threaded SMA female		
Channels/Talk Groups	16 Channels of 1000 channel pool		
Power Supply	Li-ion 1000 mAh or 2000 mAh		
Battery Life	>8 hours, 5 Watt transmit, 90:5:5 duty cycle with 2000 mAh battery		
Channel Spacing	Programmable 12.5 or 25 KHz		
Digital Encryption	DES-OFB, AES		
Operation Modes	P25 Conventional and Analogue PMR		
Conformance	EN 300 086, EN 300 113, EN 300 219, EN 300 489, EN 60950, AS4295, FCC, IC • P25CAP Compliant		
Environmental Protection	IP54		
Environmental Standards	MIL-STD-810 F	Method	Procedure
	Low Pressure (Altitude), Storage	500.4	I
	Low Pressure (Altitude), Operational	500.4	II
	High Temp, Storage	501.4	I
	High Temp, Operating	501.4	II
	Low Temp, Storage	502.4	I
	Low Temp, Operating	502.4	II
	Thermal Shock	503.4	I
	Solar Radiation	505.4	I (A2)
	Rainfall	506.4	I
	Relative Humidity	507.4	
	Dust	510.4	I
	Sand	510.4	II
	General Vibration: Truck/trailer/tracked - restrained cargo	514.5	I Cat 4
	General Vibration: Minimum Integrity	514.5	I Cat 24
	Shock - Transit Drop	516.5	IV
Operating Temperature	-30 °C to +60 °C		

Transmitter Specification

Power Output	2 levels programmable 0.5 - 5 W 0.5, 1, 2.5, 4 or 5 W
Modulation	C4FM(P25) FM(Analogue)
Audio Distortion	<3 % at 1 kHz, 60% deviation
Audio Frequency Response	+1 dB to -3 dB of de-emphasised 300 to 3000 Hz on 25 kHz Channel (300 to 2550 Hz on 12.5 kHz Channel)
Transmit Rise Time	<25 ms
Hum and Noise	>40 dB (12.5 kHz); >45 dB (25 kHz)

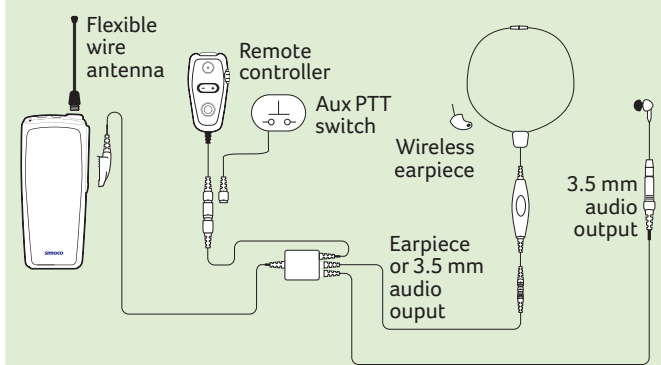
Receiver Specification

Sensitivity	<0.3 µV for 12 dB SINAD <0.3 µV for 5% BER
Audio Output	500 mW into 16 Ω <5% distortion
Selectivity	>73 dB (25 kHz) >65 dB (12.5 kHz)
Intermodulation	>70 dB
Audio Frequency Response	+1 dB to -3 dB of de-emphasised 300 to 3000 Hz on 25 kHz Channel (300 to 2550 Hz on 12.5 kHz Channel)
Blocking	>95 dB at +/- 1 MHz
Hum and Noise	>40 dB (12.5 kHz); >45 dB (25 kHz)

P25 Operation

• P25CAP Complaint • Scanning • Voting • DES-OFB and AES Encryption *** • Individual Calls • Analogue mode including scrambler, • CTCSS, DCS, DTMF

Diagram Overview



For more information please contact your local Simoco representative:

P25CAP



simoco
www.simocogroup.com