



VHF MARINE TRANSCEIVER

IC-M506EURO

SHIP A
SHIP TYPE : CARGO
STATUS : UNDERWAY
SPEED / COURSE : 12.5KT/271°
LENGTH × BEAM : 76M × 12M
DRAUGHT : 3M

SHIP B
SHIP TYPE : OTHER
STATUS : UNDERWAY
SPEED / COURSE : 9.4KT/41°
LENGTH × BEAM : 149M × 30M
DRAUGHT : 4.7M

SHIP C
SHIP TYPE : PASSENGER
STATUS : UNDERWAY
SPEED / COURSE : 8.8KT/185°
LENGTH × BEAM : 62M × 13M
DRAUGHT : 3M



Advanced Fixed Mount VHF with AIS and NMEA 2000 Connectivity



Integrated AIS Receiver

With an integrated AIS receiver, the IC-M506EURO can show real-time AIS vessel traffic information on the display. The AIS target call function allows you to easily set up a DSC individual call. The Plotter, Target list and Danger list can be toggled on the display.



AIS plotter display

TARGET LIST (139)		
MMSI/Name	RNG	BRG
431003	1.1	331
TAMAKI PRIN	1.4	003
EIWAMARU	1.4	280
OVAL LP NO.1	1.6	266
KANRYUMARU	1.7	006

Target list example



NMEA 2000™ Connectivity

With the plug-and-play functionality of NMEA 2000, the IC-M506EURO can easily connect to a NMEA 2000 network. The IC-M506EURO can receive and transmit GPS (position, course (COG) and speed (SOG)), AIS report and DSC call information data and transmit radio frequency and PGN list data on the network. AIS data can only be displayed when connected to a compatible device via NMEA 2000. When using NMEA0183, the IC-M506AIS version will only output DSC and GPS data.



Last Call Voice Recording

The last call voice recording function automatically saves the last two minutes of the last incoming call. You can replay the received call, and not miss any incoming call.



Active Noise Cancelling

Using digital signal processing technology, the built-in bidirectional active noise cancelling provides superb performance. It reduces background noise to 50% in the received signal and 30% fixed in the transmitting signal. The function OFF setting is also possible.



Intuitive Menu-Driven User Interface

The intuitive software key functions provide easy and fast operation to control the multiple functions of the IC-M506EURO. The bottom line of the dot-matrix display shows the software key functions which can be toggled with the left and right buttons.



Functions menu



25W Two-Way Hailer

When connected to an external hailer horn, you can talk to people on the deck or shore from the radio's microphone and can hear people's reply via the hailer speaker. The RX hailer function allows you to monitor the received audio from the hailer horn. 25W amplifier increases your talk power making your communication loud and clear.



Built-in Horn (Automatic & Manual)

Foghorn feature is built-in via the external Hailer horn. Four horn patterns are selectable for the automatic horn function.

VHF MARINE TRANSCEIVER IC-M506EURO



Receiver



ITU Class D DSC (Meets ITU-R M493-13)

The built-in DSC watch function monitors Ch. 70 (DSC channel) activity, even while you are receiving another channel. DSC functions include: distress, individual, group, all ships, urgency, safety, position request/report, polling request and DSC test calls. Up to 100 DSC address IDs can be programmed.



Rear Microphone Version*

With this version, the microphone connector is drawn from the rear panel and a 6.1m (20ft) microphone extension cable is supplied to allow you clean and neat panel installation.



* Ask your dealer for details.



IPX8 Advanced Waterproof

The IC-M506EURO and supplied HM-205B/RB microphone can withstand 1m (3.2ft) depth of water for 60 minutes.

Other Features

- Simple remote control speaker-microphone, HM-205B/RB
- 15W audio output power (with external speaker)
- AquaQuake™ draining function
- Optional voice scrambler, UT-112 for private conversation
- MA-500TR AIS transponder and MarineCommander™ compatible



Optional COMMANDMIC™ for 2nd Station Capability



Full Control and Intercom

The optional COMMANDMIC, HM-195B/SW provides 2nd station capability for using the IC-M506EURO from up to 18.3m (60ft)* away such as a separate cabin or tower. Most functions including DSC and AIS functions can be controlled from the COMMANDMIC and can be used as an intercom with the IC-M506EURO. One COMMANDMIC can be used.

* Two optional OPC-1541 extension cables required.



Same Menu-Driven User Interface with IC-M506EURO

The HM-195B/SW provides same user interface with the IC-M506EURO. The directional keypad and softkey buttons allow you to perform various operations and settings. The audio and backlight levels can be set independently from the IC-M506EURO.

Other Features

- External speaker connection
- Remote power ON/OFF function
- Black and super white color version

"Distress" button on the back of the unit



IPX7 Waterproof Construction

The HM-195B/SW withstands submersion in up to 1m depth of water for 30 minutes.

SPECIFICATIONS

GENERAL	
Frequency range	Tx 156.000–161.450MHz Rx 156.000–163.425MHz CH70 156.525MHz AIS1, 2 161.975, 162.025MHz
Usable channels	INT, USA* channels * Available depending on version
Type of emission	16K0G3E (FM), 16K0G2B (DSC)
Power supply requirement	13.8V DC (10.8–15.6V DC)
Current drain (at 13.8V DC)	Tx 25W output 5.5A Rx AF Max External SP 5.0A (RX hailer ON) Internal SP 1.5A
Operating temperature range	–20°C to +60°C
Antenna impedance	50Ω (SO-239)
Weight (approx.)	1400g; 3.09lb
TRANSMITTER	
Output power (at 13.8V DC)	25W, 1W
Max. frequency deviation	±5.0kHz
Frequency stability	Less than ±0.5kHz
Spurious emissions	Less than 0.25μW
RECEIVER	
Intermediate frequency	1st 30.15MHz, 2nd 450kHz CH70 1st 21.7MHz, 2nd 450kHz
Sensitivity	–5dBμ emf typ. (20dB SINAD) CH70 –4dBμ emf typ. (1% BER)
Adjacent channel selectivity	CH70 (1% BER) More than 75dB More than 73dBμ emf
Spurious response	CH70 (1% BER) More than 75dB More than 73dBμ emf
Intermodulation	CH70 (1% BER) More than 75dB More than 68dBμ emf
Hum and noise	More than 40dB
Audio output power (at 10% distortion)	More than 15W with a 4Ω RX speaker

Measurements made in accordance with EN301 025-2, -3. All stated specifications are subject to change without notice or obligation.

Applicable U.S. Military Specifications

The IC-M506EURO and HM-205B/RB have been tested to and passed the following MIL-STD requirements and strict environmental standards.

Standard	MIL 810 G	
	Method	Procedure
Low Pressure	500.5	I, II
High Temperature	501.5	I, II
Low Temperature	502.5	I, II
Temperature Shock	503.5	I-C
Solar Radiation	505.5	I
Rain	506.5	I
Humidity	507.5	II
Salt Fog	509.5	-
Dust Blowing	510.5	I
Immersion	512.5	I
Vibration	514.6	I
Shock	516.6	I, IV

Also meets equivalent MIL-STD-810-C, -D, -E and -G.

Applicable IP Rating

Ingress Protection Standard	
Water	IPX8 (1 m depth water for 60 minutes)

Supplied accessories:	
• Hand hanger	• DC power cable
• Mounting bracket kit	

OPTIONS

Some options may not be available in some countries. Please ask your dealer for details.

COMMANDMIC™



HM-195B (Black) HM-195SW (Super white)

Supplied accessories



- 6.1m (20ft) of cable
- Microphone hanger
- Mounting base for connector

EXTENSION CABLE for COMMANDMIC, HM-195B/SW



OPC-1541
6.1m (20ft) extension cable. Up to two cables available.

SPEAKER-MICROPHONE



HM-205B/RB
HM-205RB is for rear microphone version.

FLUSH MOUNT KITS

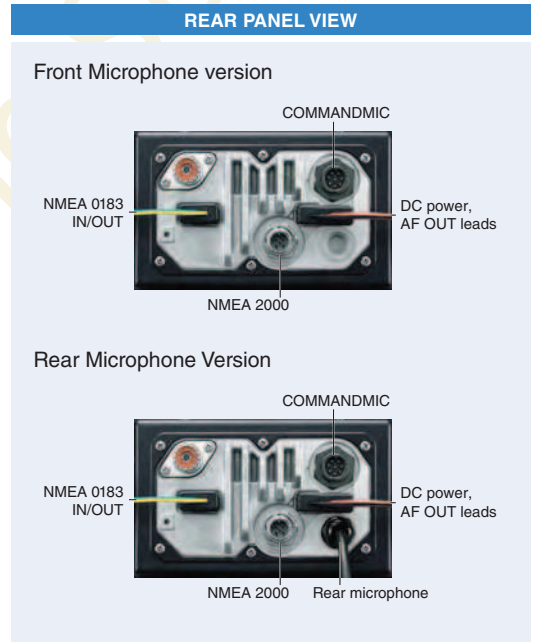
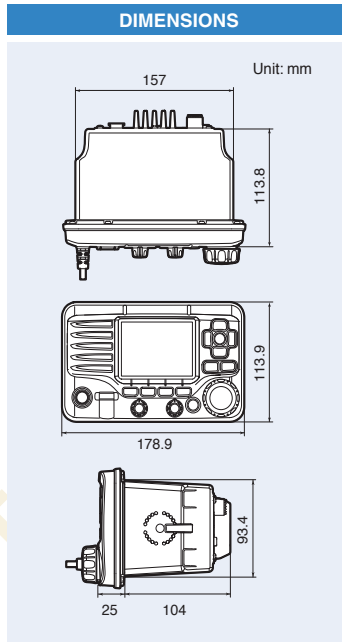


MB-132 **MB-75**

VOICE SCRAMBLER UNIT



UT-112
Provides up to 32 codes for private conversation.



Icom, Icom Inc. and the Icom logo are registered trademarks of Icom Incorporated (Japan) in the United States, the United Kingdom, Germany, France, Spain, Russia and/or other countries. COMMANDMIC, AquaQuake and MarineCommander are trademarks of Icom Inc. (Japan) in the United States. NMEA 2000 is a trademark of the National Maritime Electronics Association, Inc. All other trademarks are the properties of their respective holders.

Icom Inc.

1-1-32, Kami-minami, Hirano-ku, Osaka 547-0003, Japan Phone: +81 (06) 6793 5302 Fax: +81 (06) 6793 0013

www.icom.co.jp/world

Count on us!

Icom America Inc.

12421 Willows Road NE,
Kirkland, WA 98034, U.S.A.
Phone: +1 (425) 454-8155
Fax: +1 (425) 454-1509
E-mail: sales@icomamerica.com
URL: <http://www.icomamerica.com>

Icom Canada

Glenwood Centre #150-6165 Highway 17A,
Delta, B.C., V4K 5B8, Canada
Phone: +1 (604) 952-4266
Fax: +1 (604) 952-0090
E-mail: info@icomcanada.com
URL: <http://www.icomcanada.com>

Icom Brazil

Rua Iitororó, 444 Padre Eustáquio
Belo Horizonte MG,
CEP: 30130-150, Brazil
Phone: +55 (31) 3582 8847
Fax: +55 (31) 3582 8987
E-mail: sales@icombrazil.com

Icom (Europe) GmbH

Communication Equipment
Auf der Krautweide 24
65812 Bad Soden am Taunus, Germany
Phone: +49 (6196) 76685-0
Fax: +49 (6196) 76685-50
E-mail: info@icomeurope.com
URL: <http://www.icomeurope.com>

Icom Spain S.L.

Ctra. Rubi, No. 88 "Edificio Can Castanyer"
Bajos A 08174, Sant Cugat del Valles,
Barcelona, Spain
Phone: +34 (93) 590 26 70
Fax: +34 (93) 589 04 46
E-mail: icom@icomspain.com
URL: <http://www.icomspain.com>

Icom Polska Sp. Z o.o.

80-286 Gdansk, Jaskowa Dolina St. 75, Poland
Phone: +48 (58) 551 0484
Fax: +48 (58) 551 4720
E-mail: icompolska@icompolska.com.pl
URL: <http://www.icompolska.com.pl>

Icom (UK) Ltd.

Blacksole House, Altira Park,
Herne Bay, Kent, CT6 6GZ, U.K.
Phone: +44 (0) 1227 741741
Fax: +44 (0) 1227 741742
E-mail: info@icomuk.co.uk
URL: <http://www.icomuk.co.uk>

Icom France s.a.s.

Zac de la Plaine,
1 Rue Brindejonc des Moulinais, BP 45804,
31505 Toulouse Cedex 5, France
Phone: +33 (5) 61 36 03 03
Fax: +33 (5) 61 36 03 00
E-mail: icom@icom-france.com
URL: <http://www.icom-france.com>

Icom (Australia) Pty. Ltd.

Unit 1 / 103 Garden Road,
Clayton, VIC 3168 Australia
Phone: +61 (03) 9549 7500
Fax: +61 (03) 9549 7505
E-mail: sales@icom.net.au
URL: <http://www.icom.net.au>

Icom New Zealand

146A Harris Road, East Tamaki,
Auckland, New Zealand
Phone: +64 (09) 274 4062
Fax: +64 (09) 274 4708
E-mail: inquiries@icom.co.nz
URL: <http://www.icom.co.nz>

Asia Icom Inc.

6F No. 68, Sec. 1 Cheng-Teh Road,
Taipei, Taiwan, R.O.C.
Phone: +886 (02) 2559 1899
Fax: +886 (02) 2559 1874
E-mail: sales@asia-icom.com
URL: <http://www.asia-icom.com>

Your local distributor/dealer: