



CXL 70-1LW/...

UNITY-GAIN, OMNIDIRECTIONAL BASE STATION AND MARINE ANTENNA FOR THE 450 MHz BAND

CXL 70-1LW/...

Unity-Gain, Omnidirectional Base Station and Marine Antenna for the 450 MHz Band

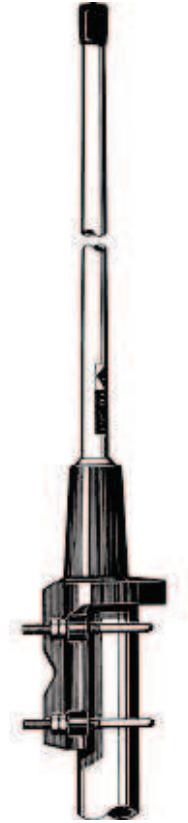
- > CXL 70-1LW/... is a 0 dBd, vertically polarized, omnidirectional base station and marine antenna which covers the 450 MHz band in three models.
- > The carefully designed, broadbanded $\frac{1}{2}$ λ -dipole radiating element is made of brass tube and sealed in a high-quality conical glass fibre tube with low wind-load.

DESCRIPTION

- > Provided with the sturdy "LW" mast mount – a lightweight, multipurpose, epoxy-coated mounting bracket made of non-corrosive aluminium.
- > The accompanying U-bolts and fittings are made of stainless steel.
- > To be mounted on vertical or horizontal mast tubes, 16 to 54 mm in outer diameter.
- > The cable can be led either on the outside or along the inside of the mast tube.
- > Large bandwidth with respect to both SWR and gain.
- > To substantially reduce noise caused by atmospherical discharges, all metal parts in the antenna are DC-grounded. Consequently, the antenna shows a DC-short across the coaxial cable.
- > The CXL 70-1LW/... is a vibration-proof, lightweight, slim-line, corrosion resistant, modern style base station and marine antenna.

ORDERING DESIGNATIONS

| TYPE | PRODUCT NO. | FREQUENCY |
|---------------|-------------|---------------|
| CXL 70-1LW/l | 110000087 | 380 - 430 MHz |
| CXL 70-1LW/h | 110000083 | 420 - 470 MHz |
| CXL 70-1LW/hs | 110000085 | 460 - 510 MHz |



SPECIFICATIONS

| ELECTRICAL | |
|-----------------------|---|
| MODEL | CXL 70-1LW/... |
| ANTENNA TYPE | $\frac{1}{2}$ λ coaxial dipole, broad-banded |
| FREQUENCY | CXL 70-1LW/l : 380 - 430 MHz CXL 70-1LW/h : 420 - 470 MHz CXL 70-1LW/hs : 460 - 510 MHz |
| IMPEDANCE | Nom. 50 Ω |
| RADIATION | Omnidirectional |
| POLARIZATION | Vertical |
| GAIN | 2 dBi 0 dBd |
| BANDWIDTH | 50 - 60 MHz dep. of model |
| SWR | \leq 1.5 |
| MAX. POWER | 200 W |
| ANTISTATIC PROTECTION | All metal parts DC-grounded (Connector shows a DC-short) |

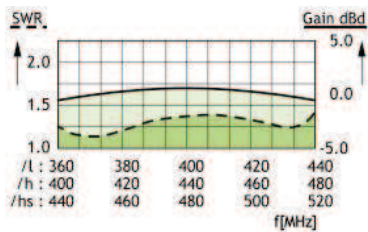


CXL 70-1LW/...

UNITY-GAIN, OMNIDIRECTIONAL BASE STATION AND MARINE ANTENNA FOR THE 450 MHz BAND

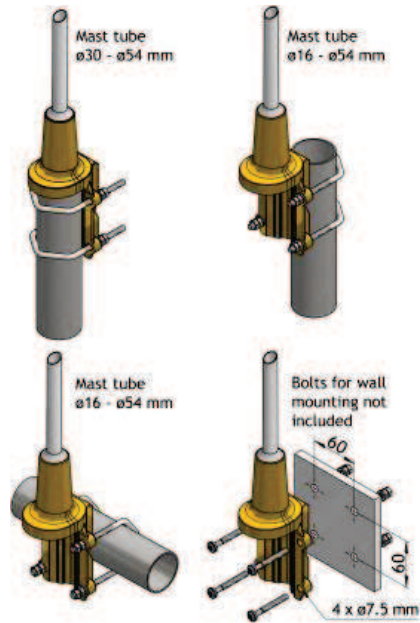
| MECHANICAL | |
|--------------------|--|
| TEMP. RANGE | -35°C ÷ 70°C |
| CONNECTOR | N-female |
| WIND SURFACE | 0.0192 m ² |
| WIND LOAD | 24 N @ 160 km/h |
| MAX. WIND SPEED | Tested to 200 km/h |
| IP RATING | IP 66 |
| COLOUR | Marine white |
| MATERIALS | Shroud: Polyurethane-coated glass fibre Mounting bracket: Seawater resistant aluminium, epoxy-coated Clamps: Stainless steel |
| TOTAL HEIGHT | Approx. 680 mm |
| DIA. IN TOP END | 12 mm |
| DIA. IN BOTTOM END | 16 mm |
| WEIGHT | Approx. 650 g |
| MOUNTING | On 16 to 54 mm dia. mast tub |

TYPICAL GAIN AND SWR CURVES



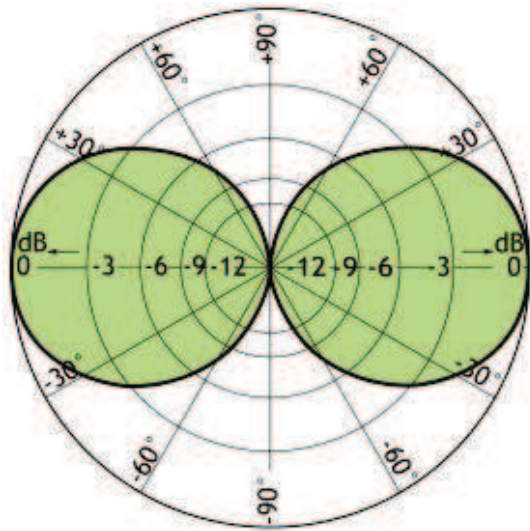
TYPICAL RADIATION PATTERN (E-PLANE)

MULTI-PURPOSE MOUNTING BRACKET



PLEASE NOTE

The antenna is delivered with a DC-connection between the antenna element and the mounting bracket.



TYPICAL RADIATION PATTERN (H-PLANE)

