

4050 HF SDR Transceiver Desk Console

P/N BCA40020

The 4050 HF SDR transceiver desk console controls a connected 4050 HF SDR either via direct connection as a primary or secondary control head or via IP network (Ethernet or WiFi). It has a built in speaker, detachable boom microphone and supports standard headsets and PTT (push to talk) foot switches.



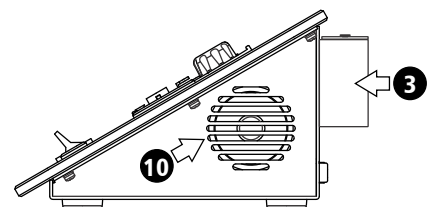
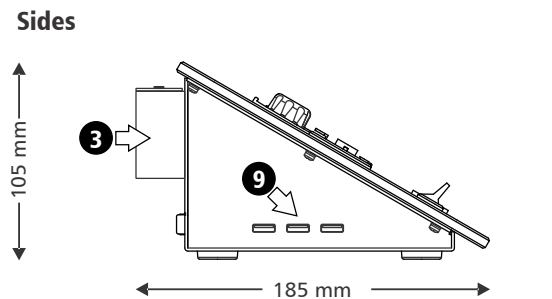
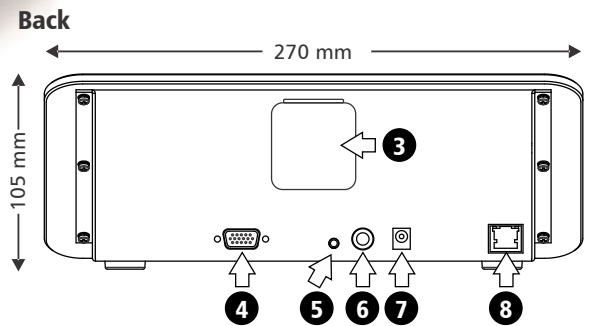
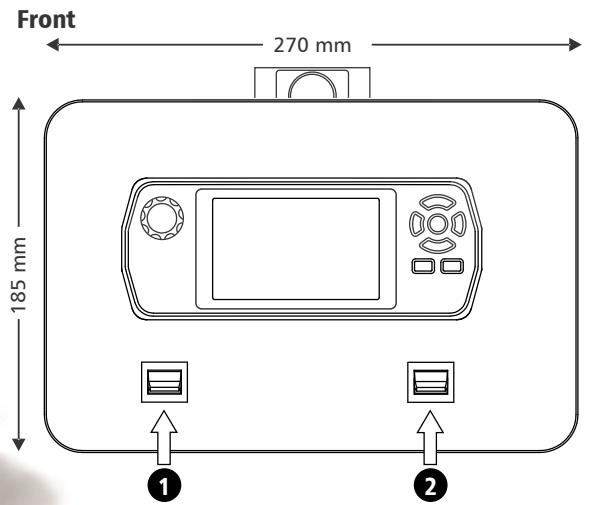
Features (as per diagrams)

- ➊ Momentary PTT (push to talk) switch
- ➋ PTT hold (latched) switch
- ➌ Boom microphone connection socket
- ➍ 4050 transceiver connector socket
- ➎ Headset connector
- ➏ PTT foot switch connector
- ➐ Power supply inlet socket 12 - 24 V d.c. Max 1A
- ➑ Ethernet port (100Mbps)
- ➒ Three USB ports for import/export of data and WiFi connectivity
- ➓ Speaker (internal)

Specifications:

Standard 4050 HF SDR control head with volume/power button, touch screen and control keys

Overall dimensions in mm (without boom mic):
 270w x 185d x 105h
 Weight (with boom mic): 1.6kg



BCB40501/1



Head Office:
 Barrett Communications Pty Ltd
 47 Discovery Drive, Bibra Lake,
 WA, 6163 AUSTRALIA
 Tel: +61 8 9434 1700
 Fax: +61 8 9418 6757
 Email: information@barrettcommunications.com.au